

VELOCITY **INDUSTRIAL**

**PROVIDING THE SOUTHWEST WITH QUALITY PNEUMATIC CONVEYING
& MATERIAL HANDLING SERVICES FOR INDUSTRY!**



Contents

Blower Packages

- Table Top Pressure Blower Packages
- Table Top Vacuum Blower Packages
- Skid Mounted Pressure Blower Packages
- Skid Mounted Vacuum Blower Packages

Bag Type Filters

- Silo Bin Vent Filters
- Vacuum Filter Receivers
- Vented Inlet Hoppers
- Vacuum Powder Filter Receiver

Miscellaneous Equipment - Stainless Steel and Carbon Steel

- Storage Bins - Liquid and Solids
- Bulk Bag Unloaders
- Slurry Tanks
- Scale Hoppers
- Cyclone Separators
- Vacuum Receiving Chamber
- Inline Air Coolers
- Convey Line Expansion Joints

Conveying Accessories

- Blow-thru Adapters
- Vacuum Take-Away Boxes
- Transitions

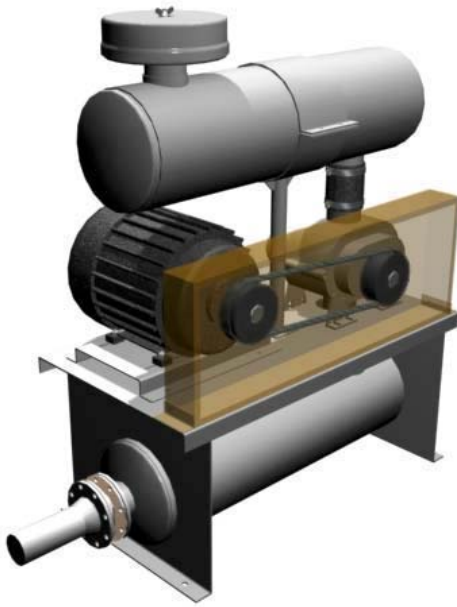
Valves

- Maintenance Gate Valves
- Butterfly Valves
- Diverter Valves
- Vacuum Breaker Valve Assemblies
- Vacuum Sequence Valve

Piping and Tubing

- Piping and Tubing Sizes
- Piping and Tubing Elbows
- Tees and Mitered Elbows
- Piping and Tubing Laterals
- Piping and Tubing Flanged Stubs

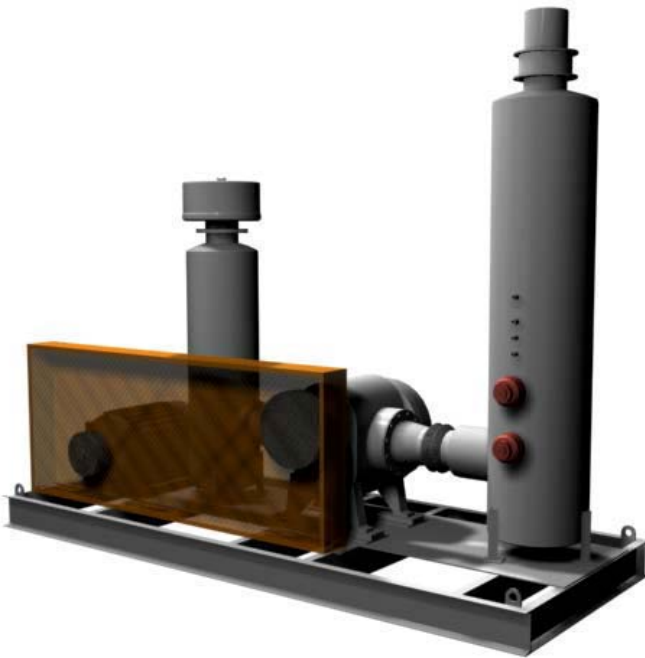
Blower Packages



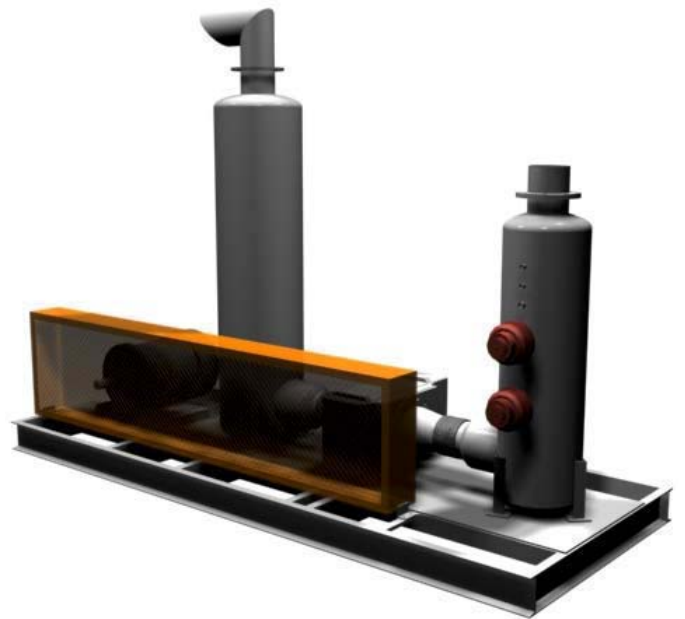
**Table Top Pressure
Blower Packages**



**Table Top Vacuum
Blower Packages**

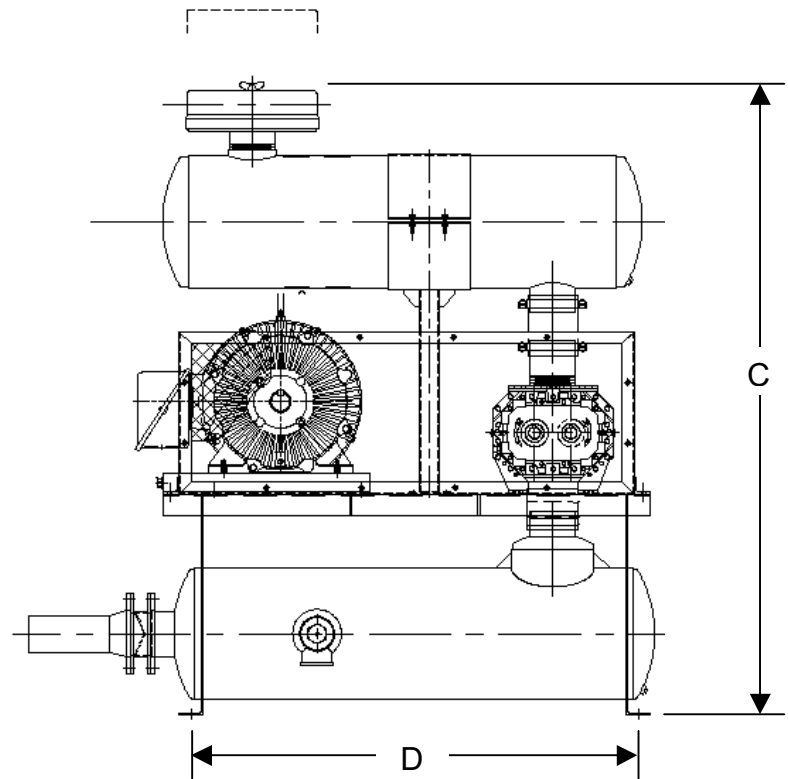
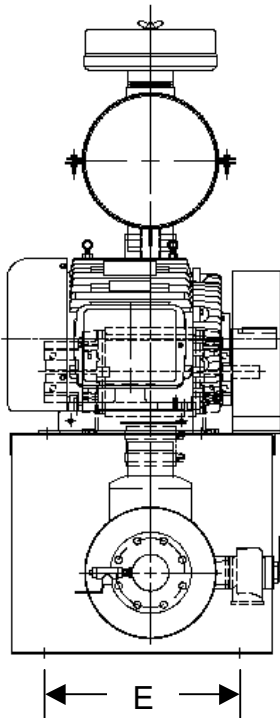
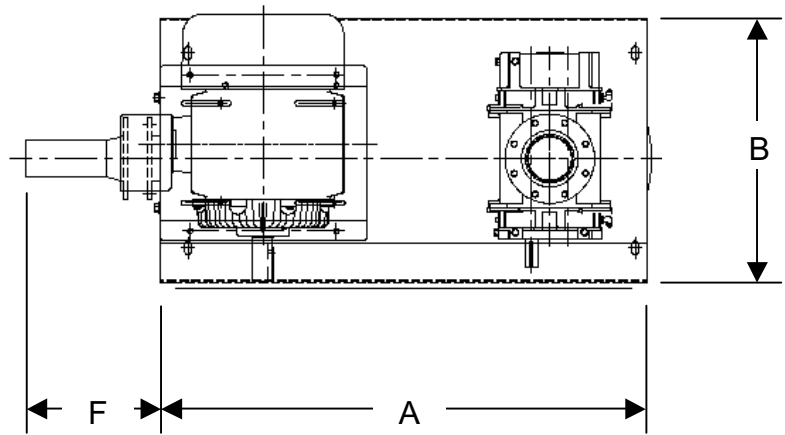
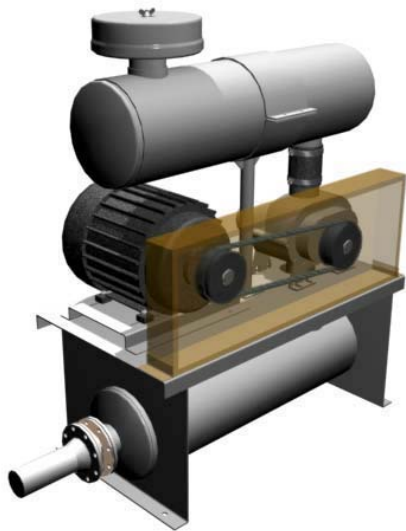


**Skid Mounted Pressure
Blower Packages**



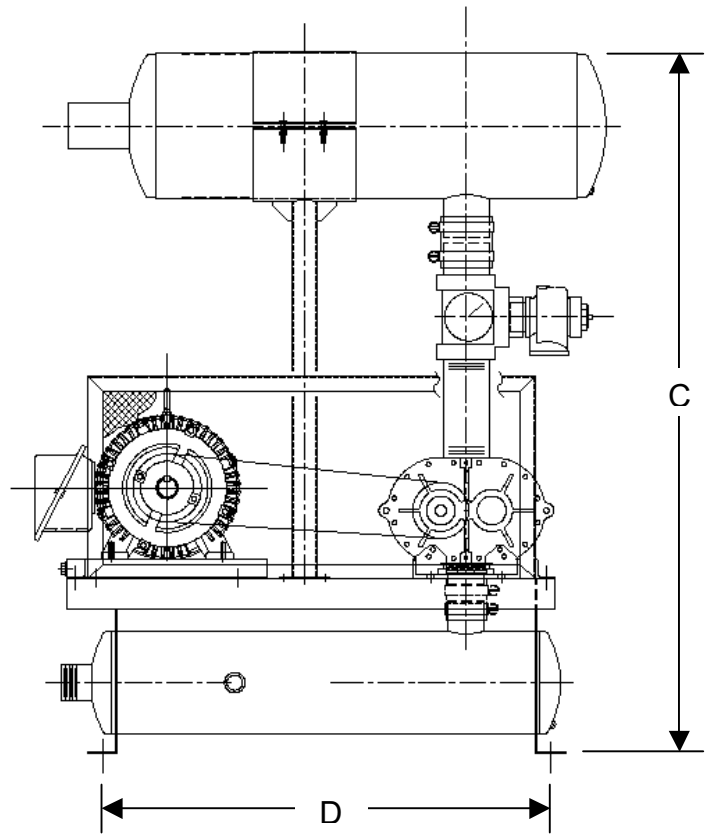
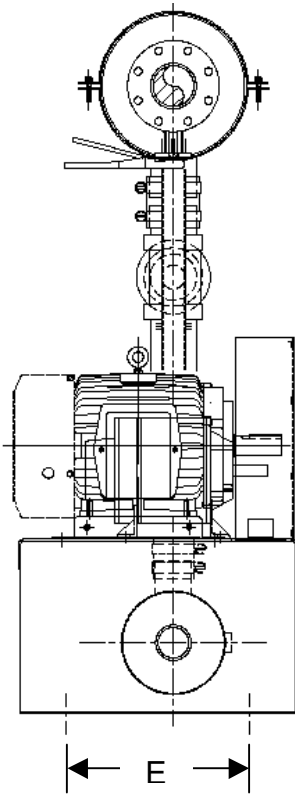
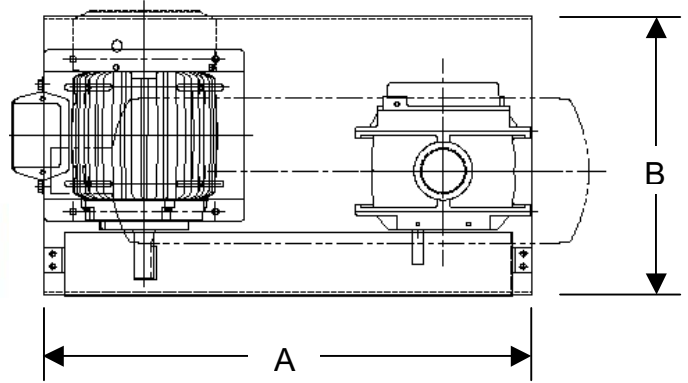
**Skid Mounted Vacuum
Blower Packages**

Table Top Pressure Blower Packages



	3" O.D. or 3" Sch. 10	4" O.D. or 4" Sch. 10	5" O.D. or 5" Sch. 10	6" O.D. or 6" Sch. 10	8" O.D. or 8" Sch. 10
A	48"	54"	60"	66"	72"
B	27 1/2"	31 1/8"	30"	33"	42 3/4"
C	69"	81"	91"	94"	114"
D	44"	44"	55"	62"	65 3/4"
E	18"	20 1/2"	24"	24"	24"
F	16"	14"	18"	20"	36"

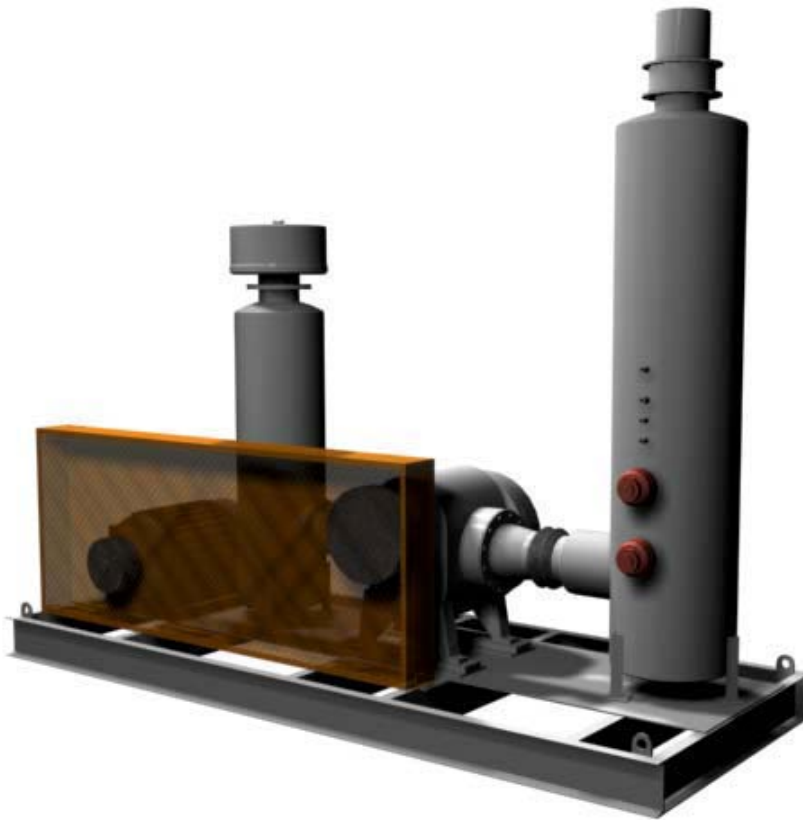
Table Top Vacuum Blower Packages



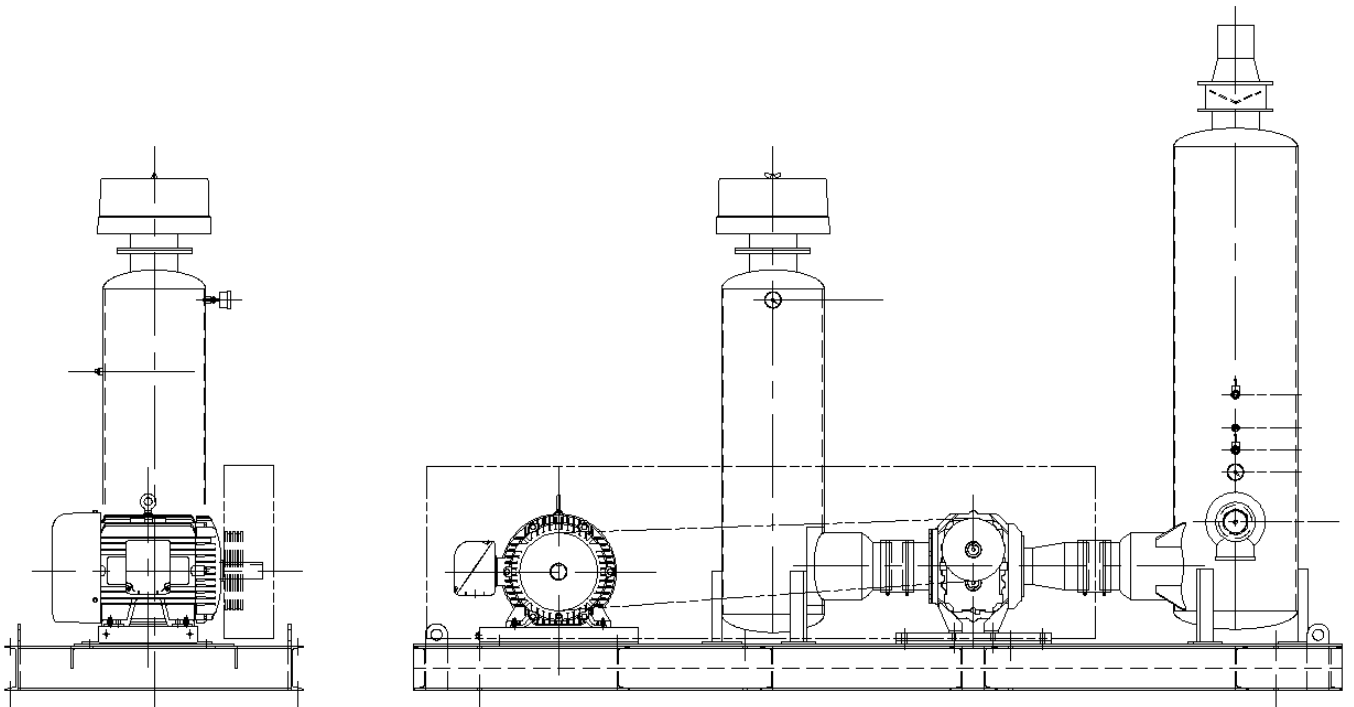
	3" O.D. or 3" Sch. 10	4" O.D. or 4" Sch. 10	5" O.D. or 5" Sch. 10	6" O.D. or 6" Sch. 10	8" O.D. or 8" Sch. 10
A	48"	54"	60"	66"	72"
B	27 1/2"	31 1/8"	30"	33"	42 3/4"
C	81"	93"	103"	106"	126"
D	44"	44"	55"	62"	65 3/4"
E	18"	20 1/2"	24"	24"	24"

All specifications are approximate and subject to change without notice.

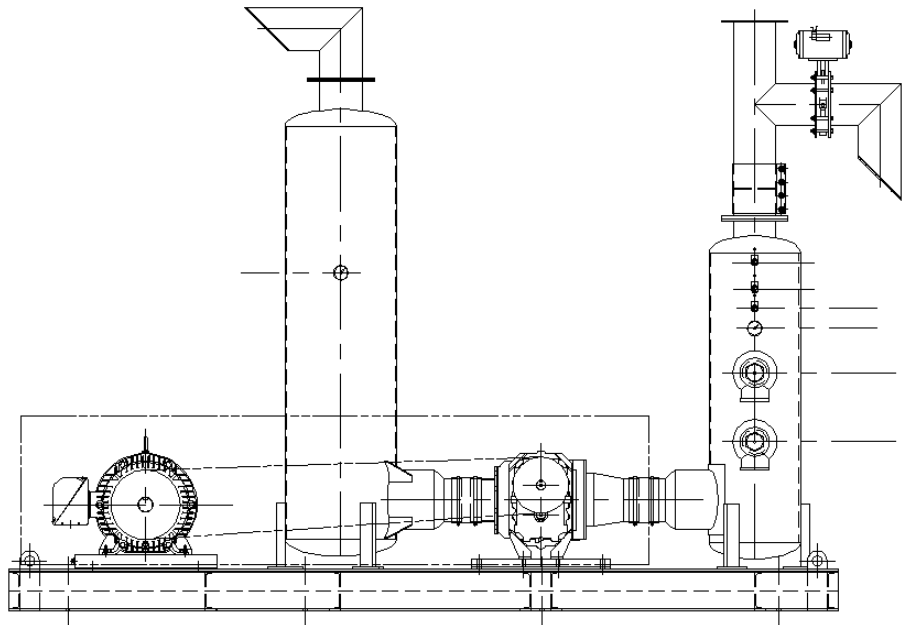
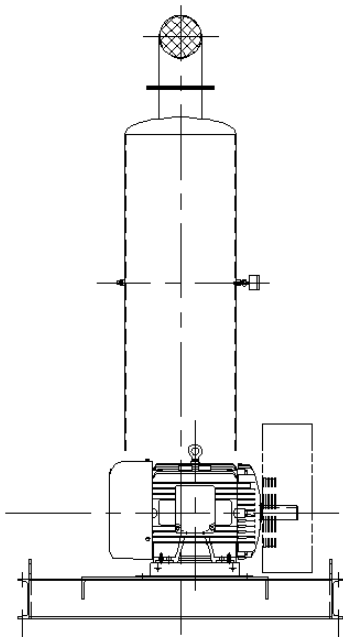
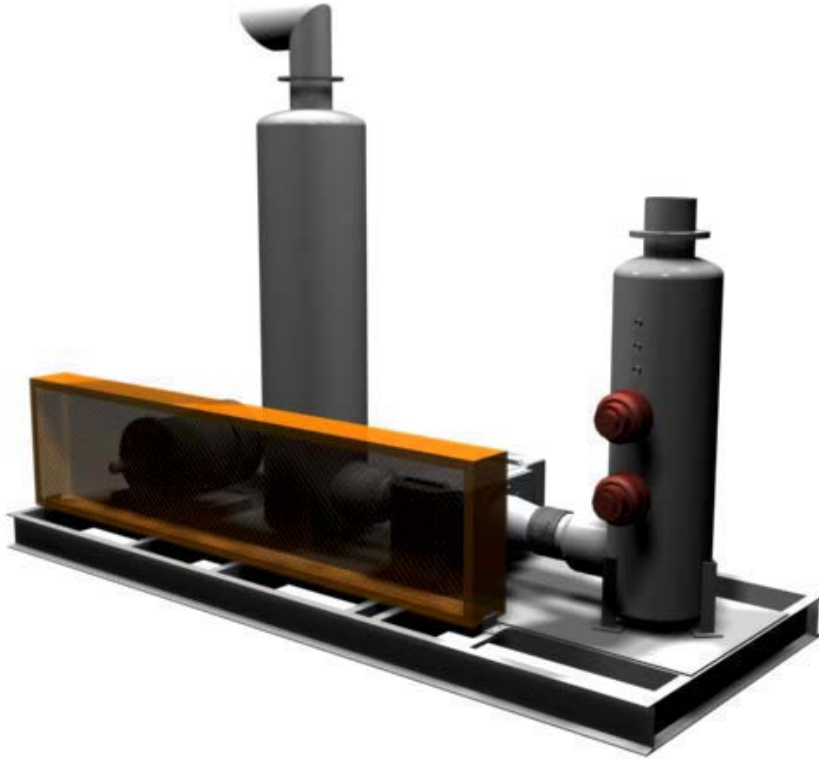
Skid Mounted Pressure Blower Packages



General Information:
Skid Mounted Pressure Blowers
are engineered and designed per
application. Please contact us for
more information.



Skid Mounted Vacuum Blower Packages



Bag Type Filters



Vacuum Filter Receivers

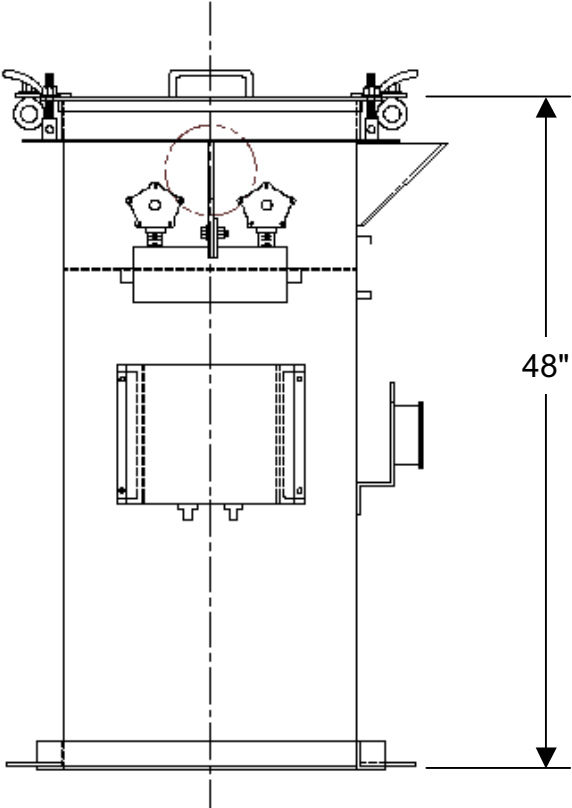
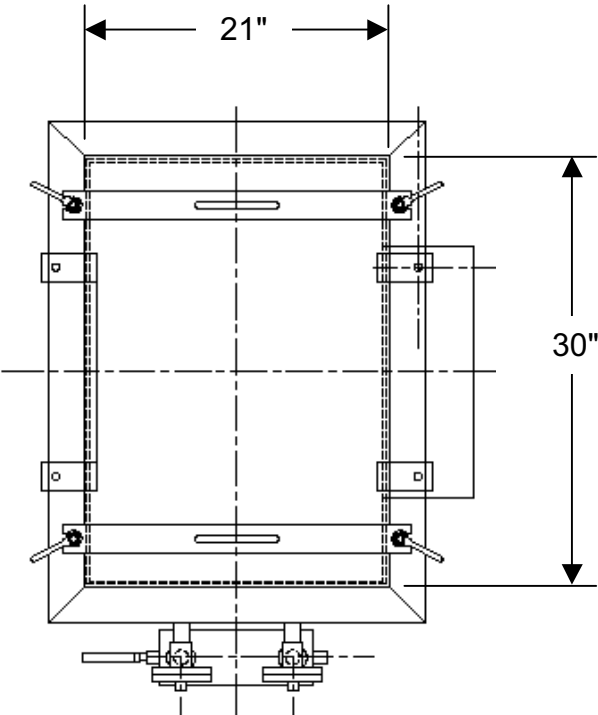


Silo Bin Vent Filters



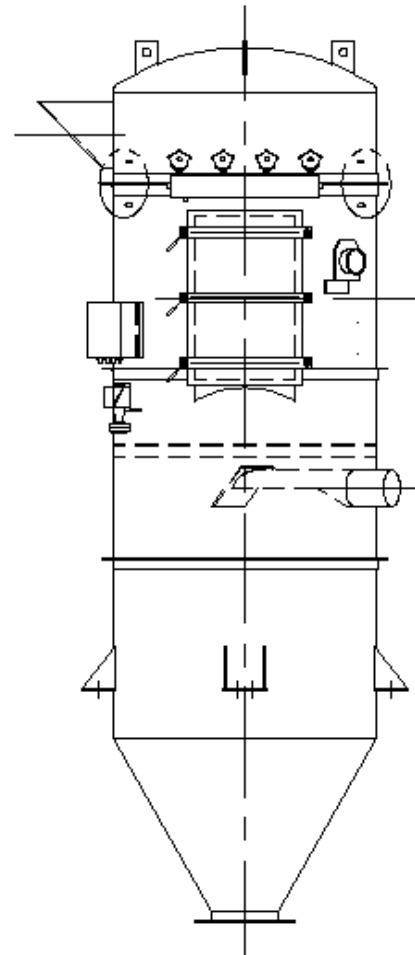
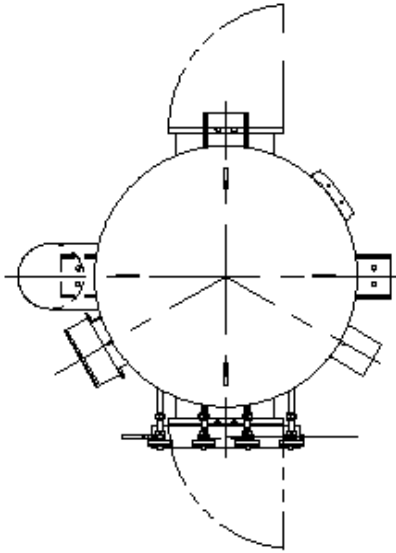
Vented Inlet Hoppers

Silo Bin Vent Filters



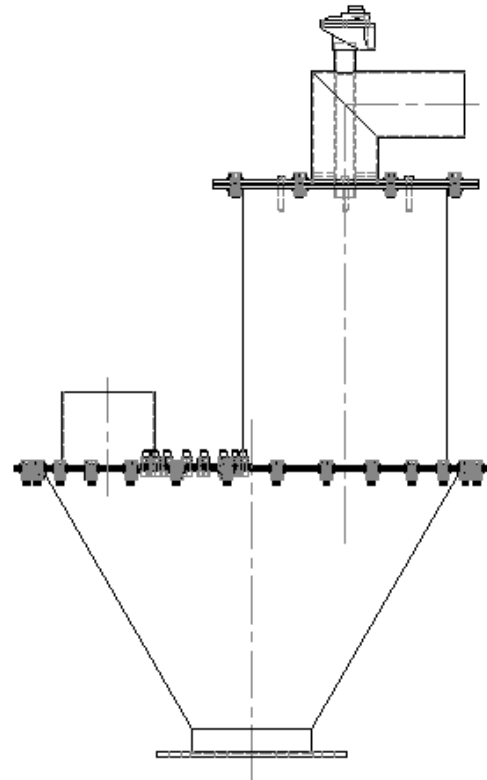
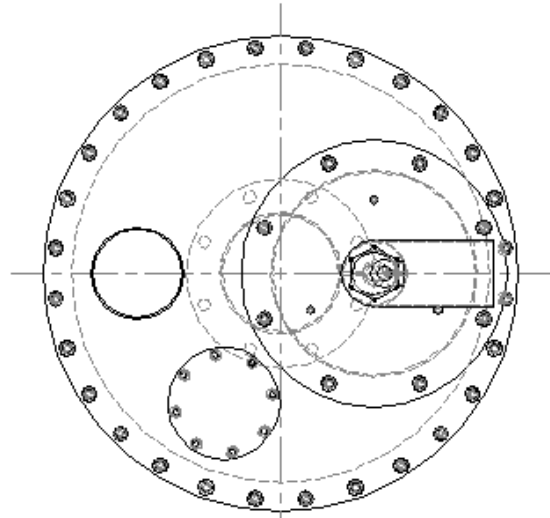
General Information:
300 Square Feet Filter Area
Aluminum, carbon steel, or stainless
steel construction

Vacuum Filter Receivers



General Information:
All Filter Receivers are designed per application. Aluminum, carbon steel, or stainless steel construction.

Vented Inlet Hoppers



A vented inlet hopper is used to vent a rotary valve locally. This eliminates the need to vent a valve to the top of a silo or dust collection system. These hoppers are engineered specifically for the rotary valve chosen.

Miscellaneous Equipment



Storage Bins



Slurry Tanks

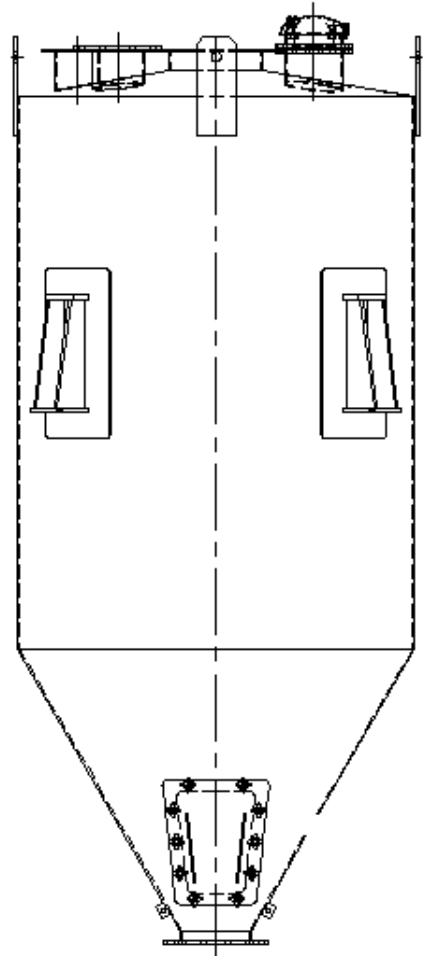
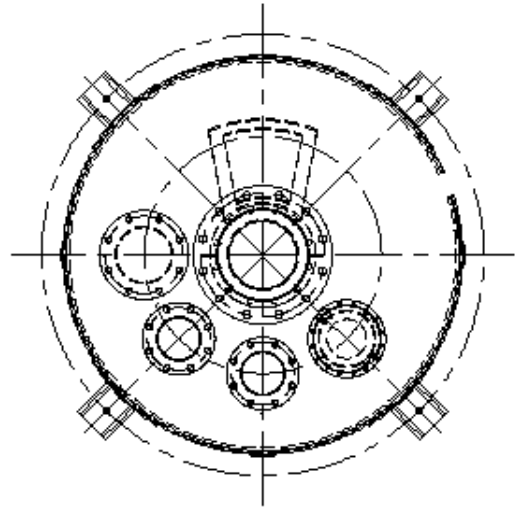


Scale Hoppers



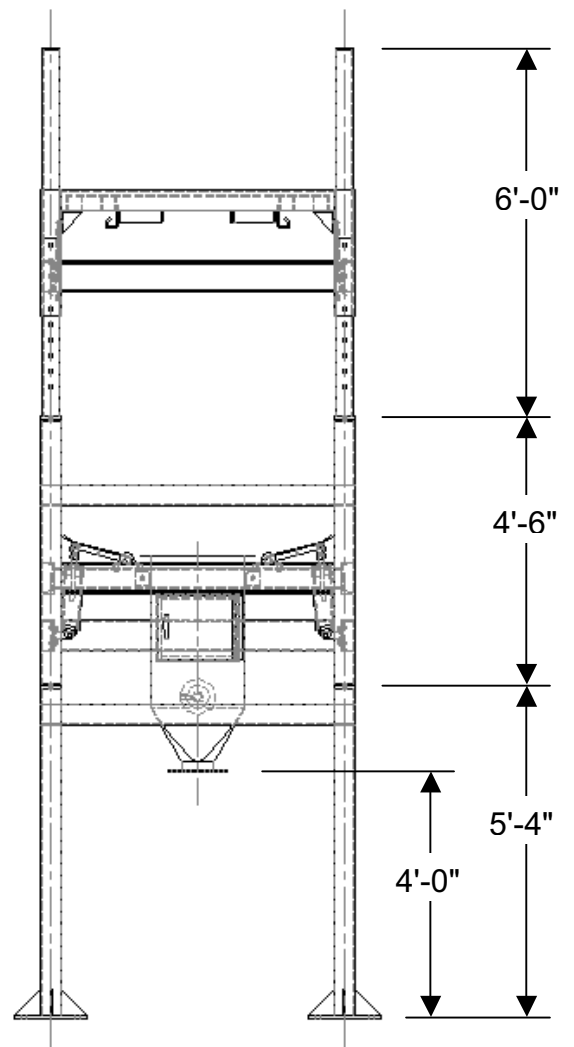
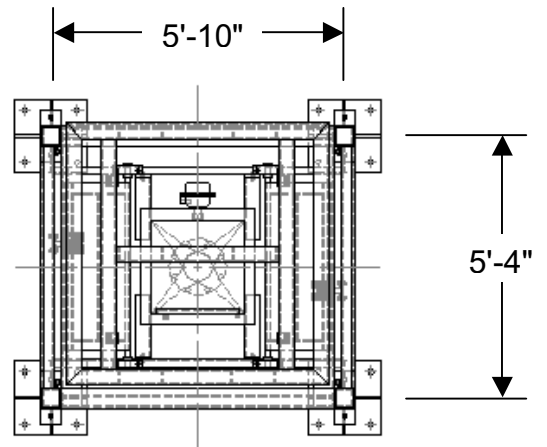
Scale Hoppers

Storage Bins

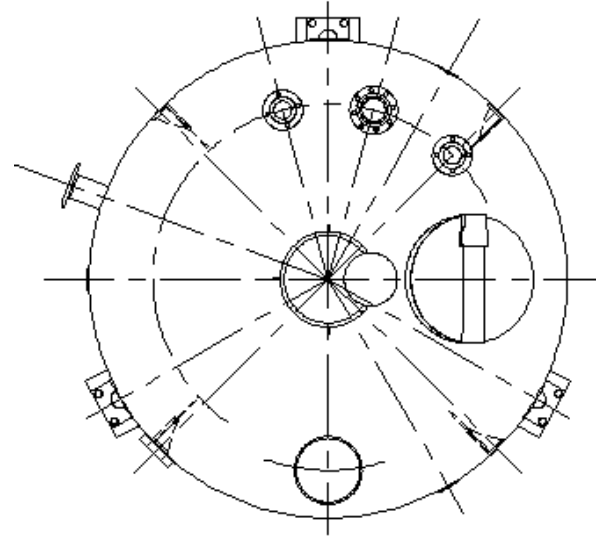


General Information:
Storage Bins are designed per application.
Aluminum, carbon steel, or stainless steel
construction.

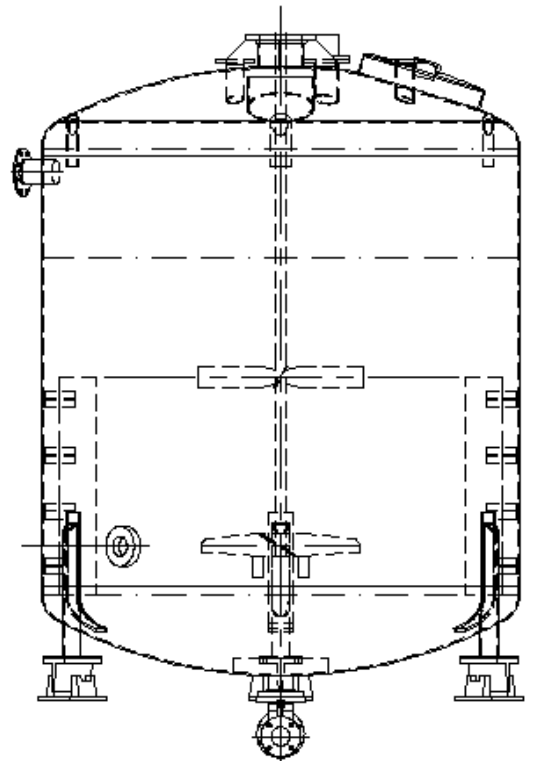
Bulk Bag Unloaders



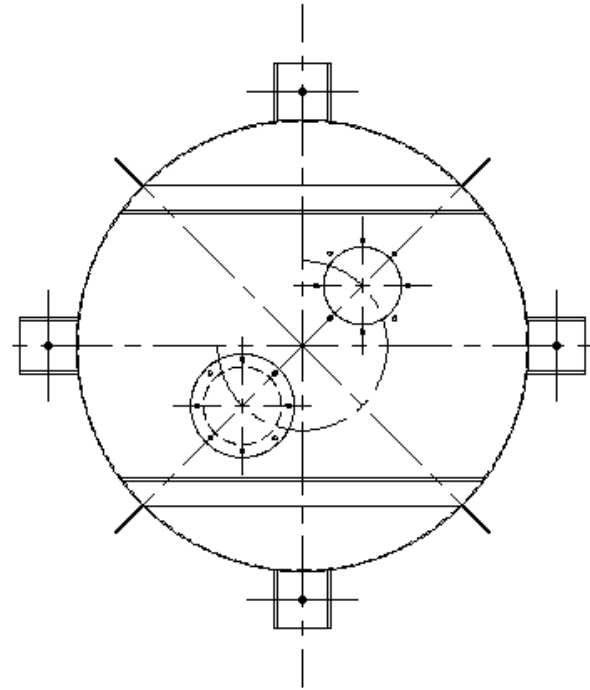
Slurry Tanks



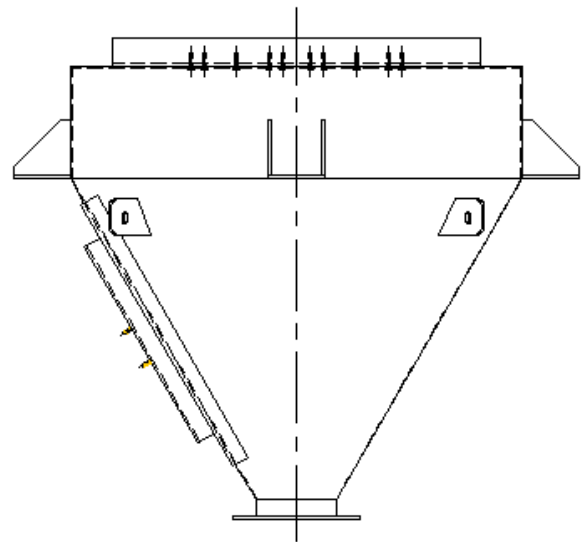
General Information:
Tanks are engineered and designed per application.
Aluminum, carbon steel, or stainless steel
construction.



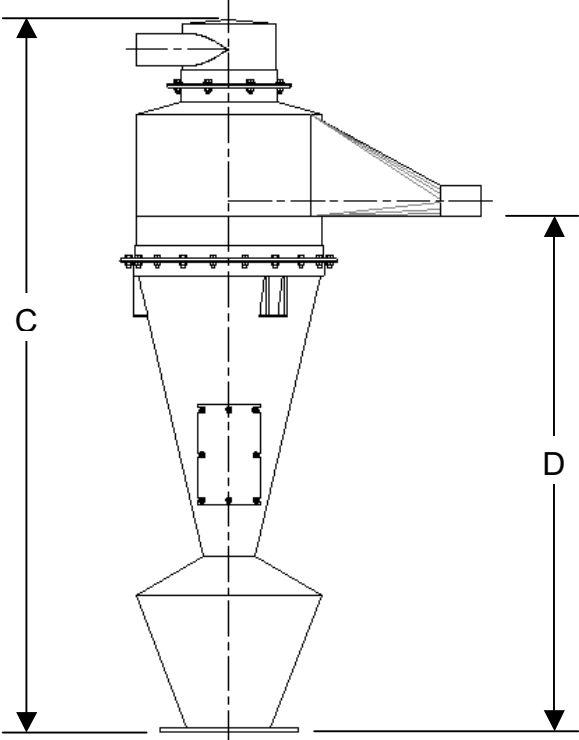
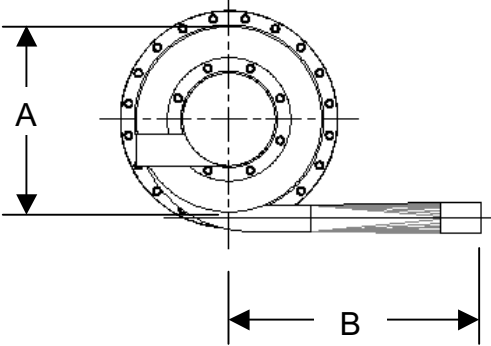
Scale Hoppers



General Information:
All scale hoppers are engineered and designed per application.
Aluminum, carbon steel, or stainless steel construction.



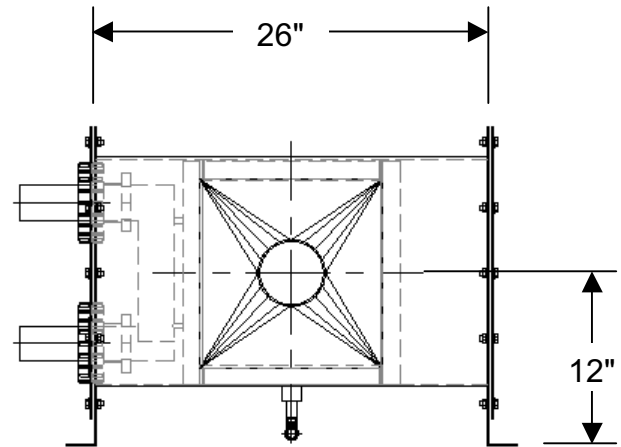
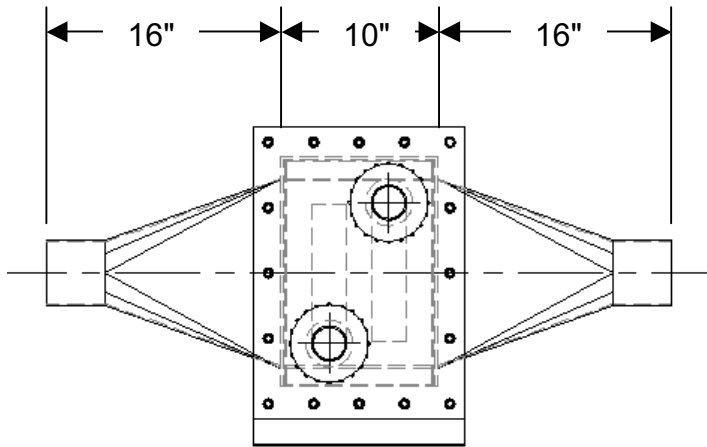
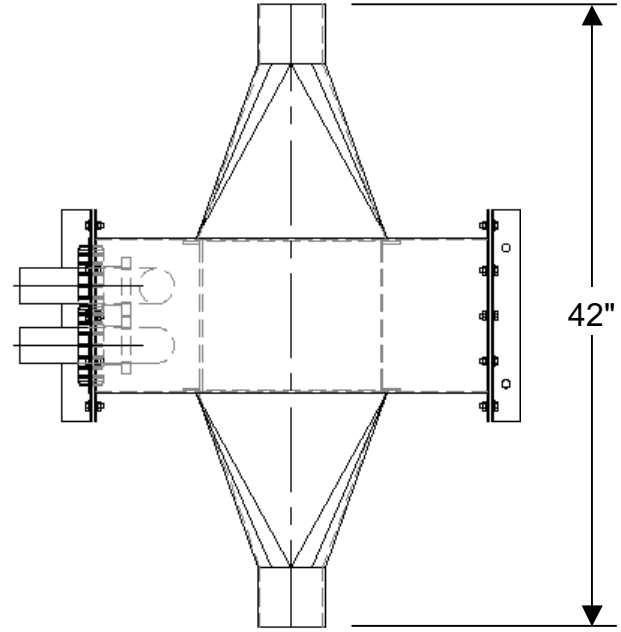
Cyclone Separators



	500 CFM	900 CFM	1500 CFM	2000 CFM	2500 CFM
A	18"	24"	30"	36"	42"
B	24"	28"	34"	37"	39"
C	56"	72"	90"	102"	120"
D	34"	48"	62"	72"	88"

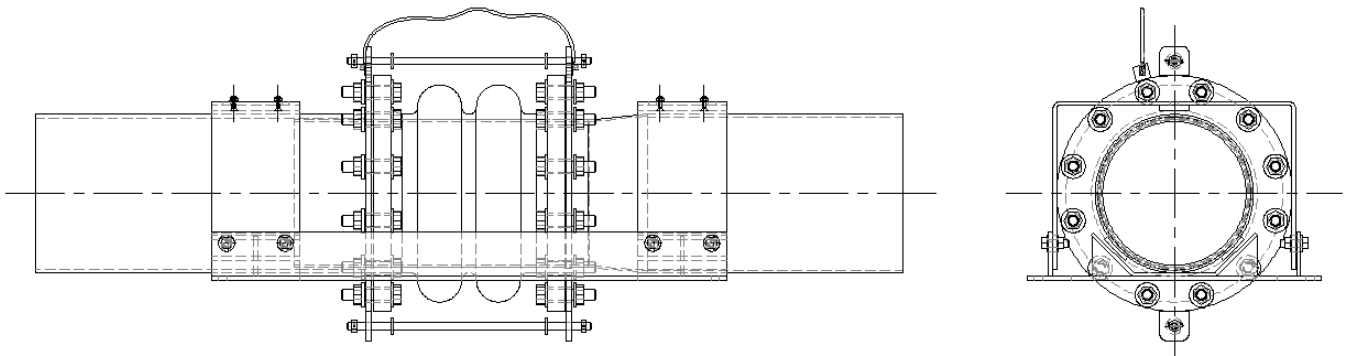
All specifications are approximate and subject to change without notice.

Inline Air Coolers



Dimensions typical for units handling up to 800 CFM. Other sizes are available on request.
Available in aluminum, carbon steel (painted), or stainless steel.
All specifications are approximate and subject to change without notice.

Convey Line Expansion Joints

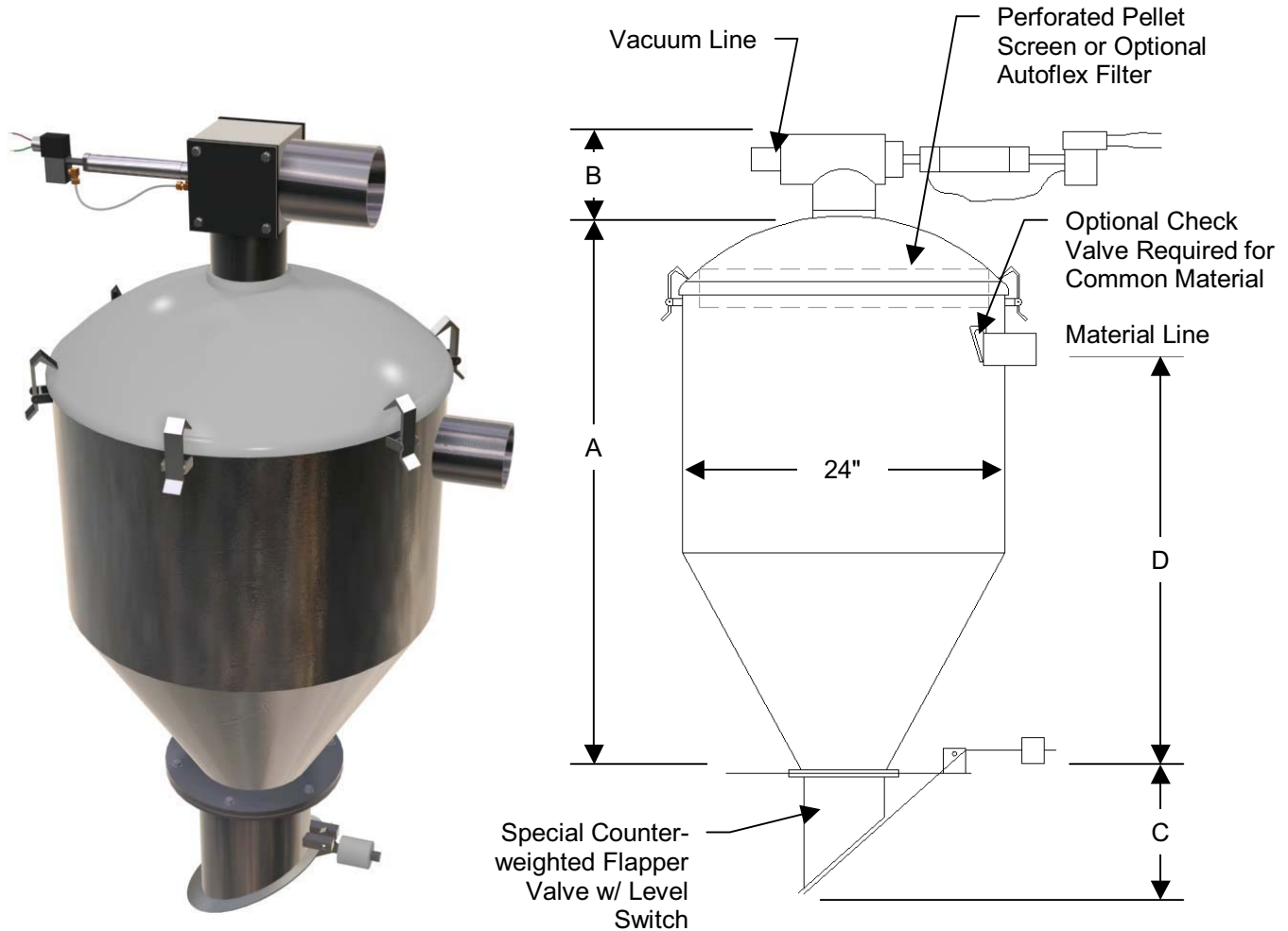


General Information:

Expansion joints are designed per application.

Aluminum, carbon steel, or stainless steel construction.

Vacuum Receiving Chamber



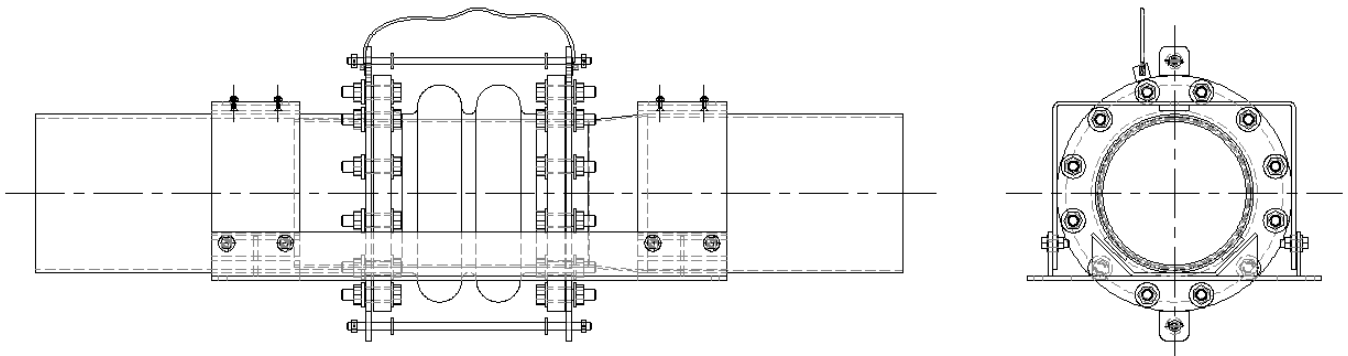
NOTES:

- VACUUM RECEIVING CHAMBER COMPLETE WITH 2", 2 1/2", 3" OR 4" INLET STUB, COUNTER-WEIGHTED ALUMINUM DISCHARGE VALVE, AND LEVEL SWITCH.
- LID ASSEMBLY COMPLETE WITH PERFORATED SCREEN OR OPTIONAL AUTOFLEX FILTER TO PREVENT CARRYOVER
- VACUUM CONTROL VALVE
- OPTIONAL WEATHER SHIELD IS AVAILABLE FOR OUTDOOR INSTALLATION

MODEL	VOLUME CU. FT.	DIMENSIONS				MOUNTING FLANGE				
		A	B	C	D	OD	ID	BC	HOLES	SIZE
C-6	.6	21"	5 1/2"	7"	12 7/8"		11 1/2"	13"	6	3/8"
C-20	2	27 7/8"	6 3/4"	7"	19 3/4"		11 1/2"	13"	6	3/8"
C-40	4	36"	6 3/4"	7"	26 1/16"	24"		22"	28	9/16"
C-60	6	53 1/2"	6 3/4"	7"	43 9/16"	24"		22"	28	9/16"

All specifications are approximate and subject to change without notice.

Convey Line Expansion Joints

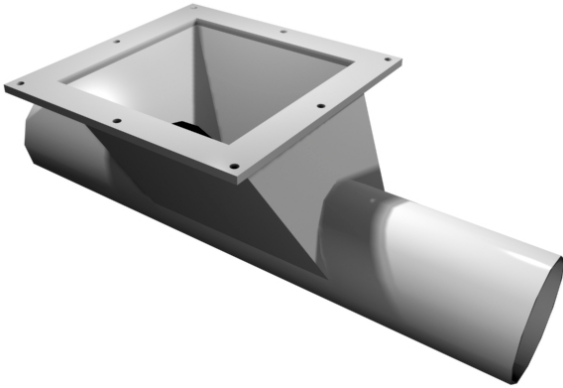


General Information:

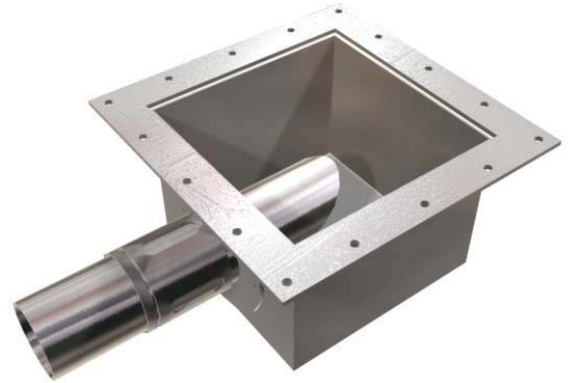
Expansion joints are designed per application.

Aluminum, carbon steel, or stainless steel construction.

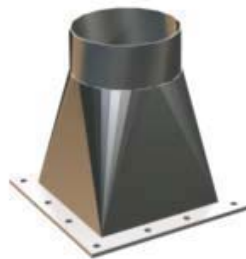
Conveying Accessories



Blow-Thru Adapters

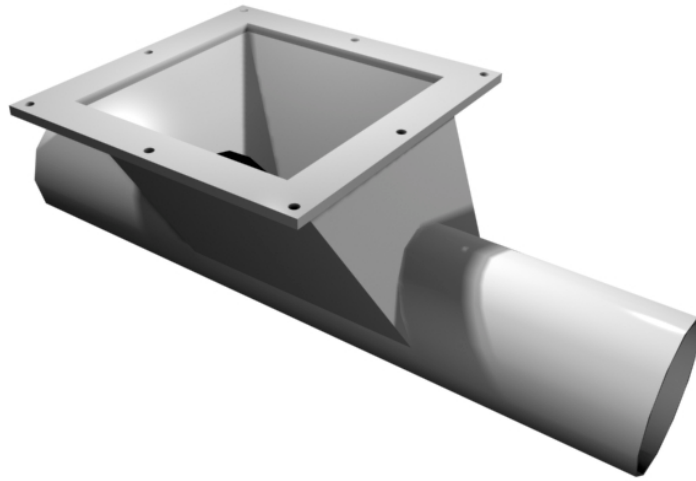


Vacuum Take-Away Boxes



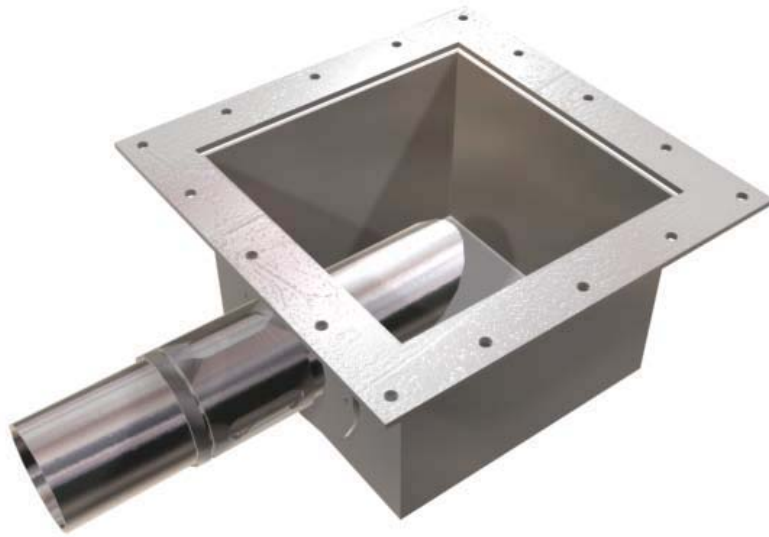
Transitions

Blow-Thru Adapters



Blow-thru Adapters are designed based on a specific rotary valve selection and transfer line size. These are available in Carbon Steel, Aluminum, and Stainless Steel. 2

Vacuum Take-Away Boxes

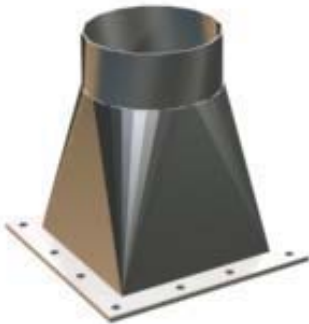


Vacuum take-away boxes are available with multiple material pick-up probes. Material pick-up probes vary in size from 1 ½" to 5" in both tubing and pipe sizes. Pick-up box mating flange are designed to match discharge flange on your vessel. 2

Custom Welded Transitions



General Information: All Custom Welded Transitions are engineered and designed per application. Aluminum, carbon steel, or stainless steel construction.



Valves



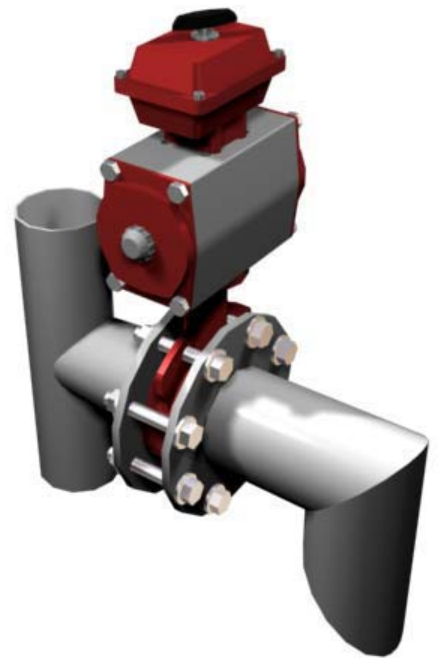
Maintenance Gate Valves



Butterfly Valves

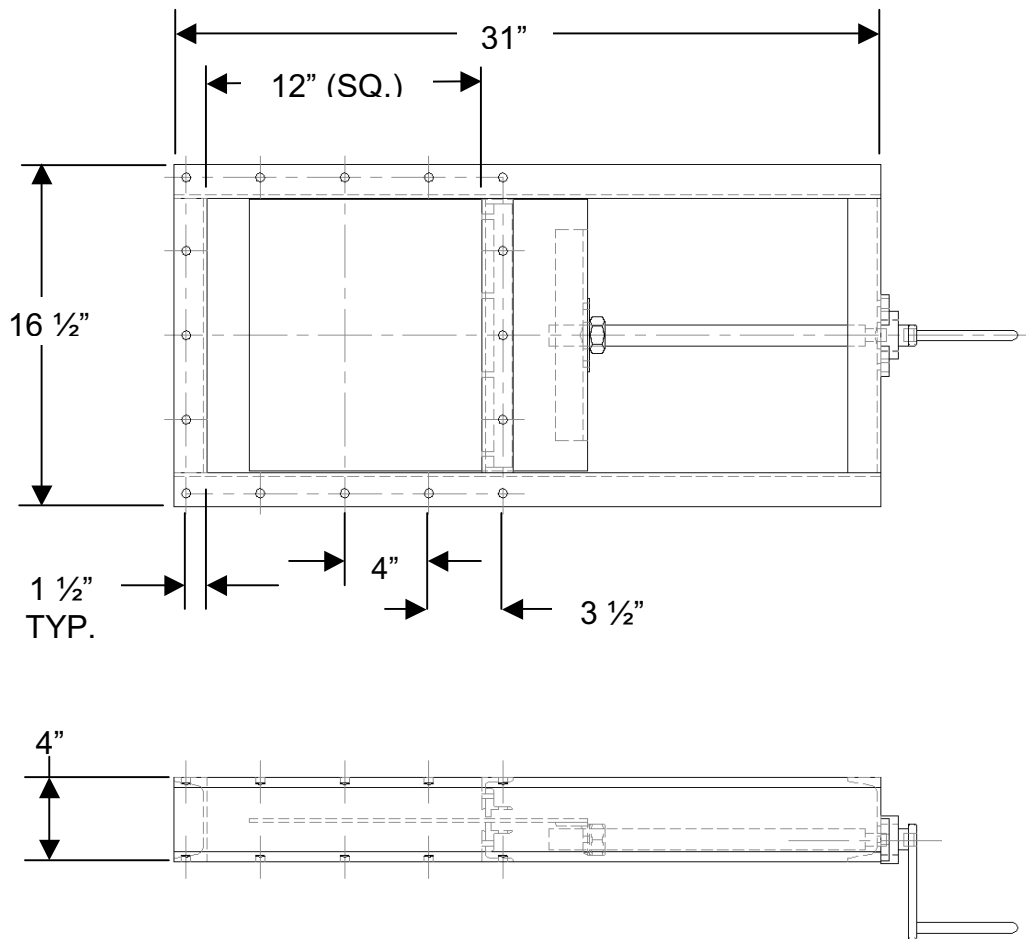


Diverter Valves

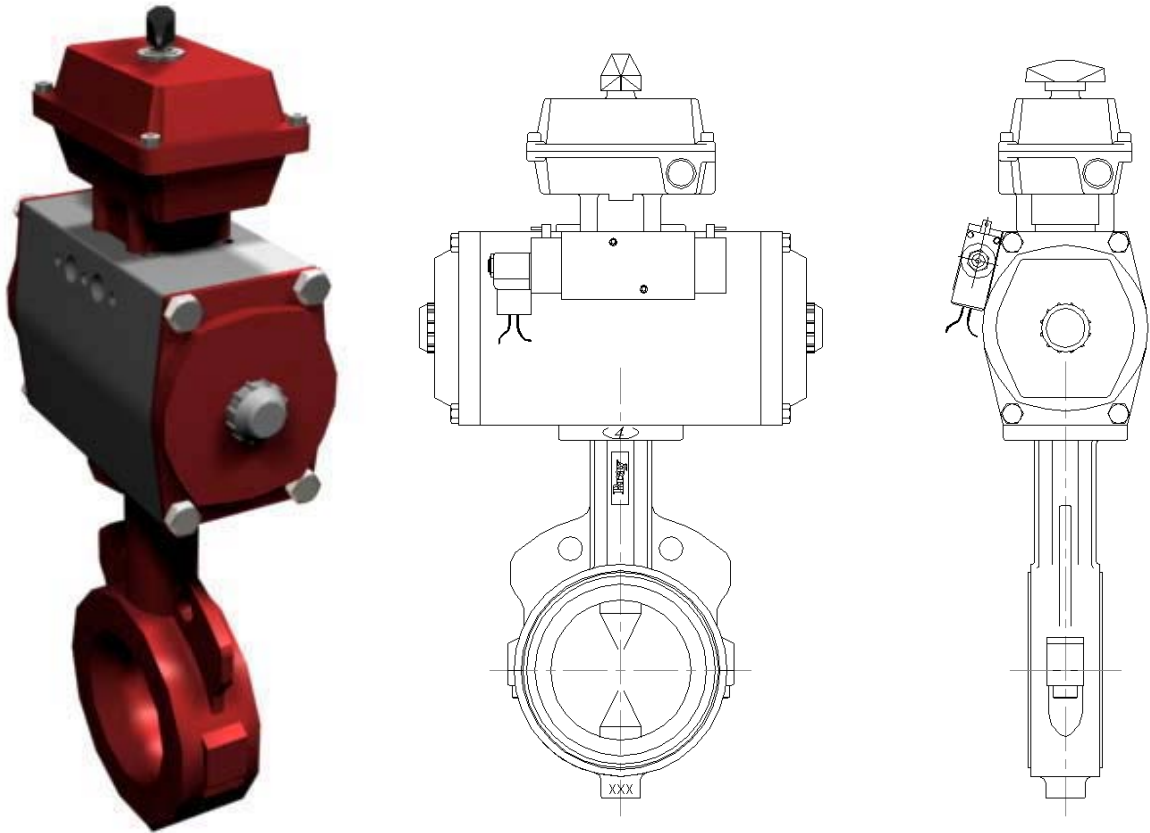


Vacuum Breaker Valve Assemblies

Silo Maintenance Gate Valve

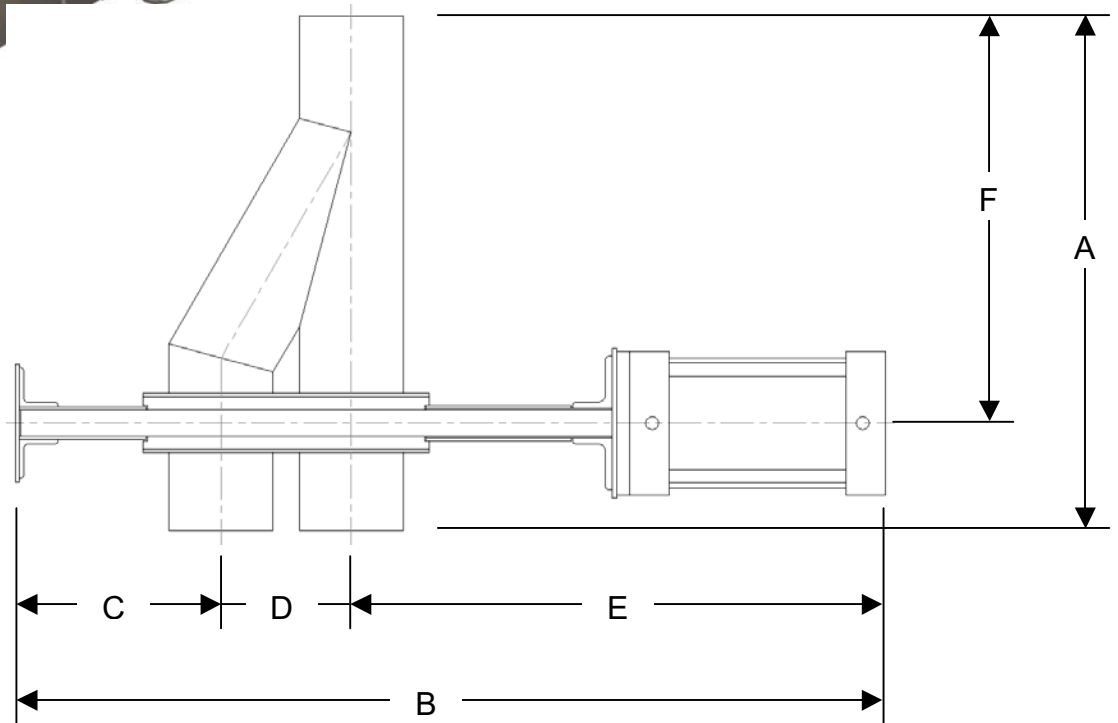
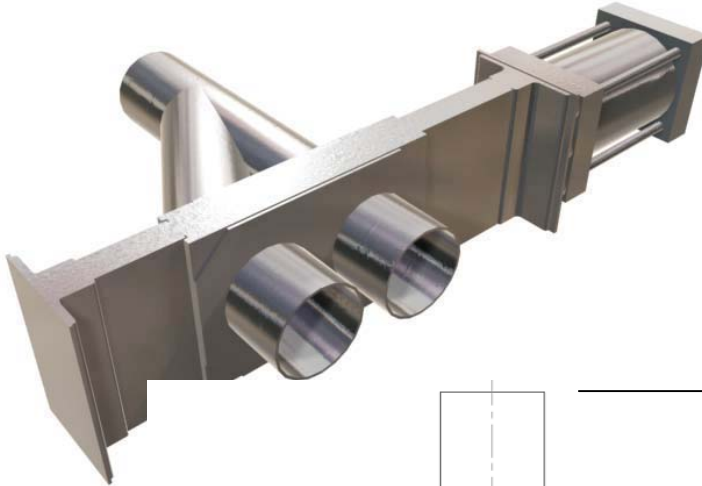


Butterfly Valves



We offer a complete line of automatic and manual butterfly valves. Options include pneumatic and electric actuators, lug or wafer style mounting (various seat and disc materials), solenoids, positioners, and proximity sensors. Valve sizes from 2" to 20"

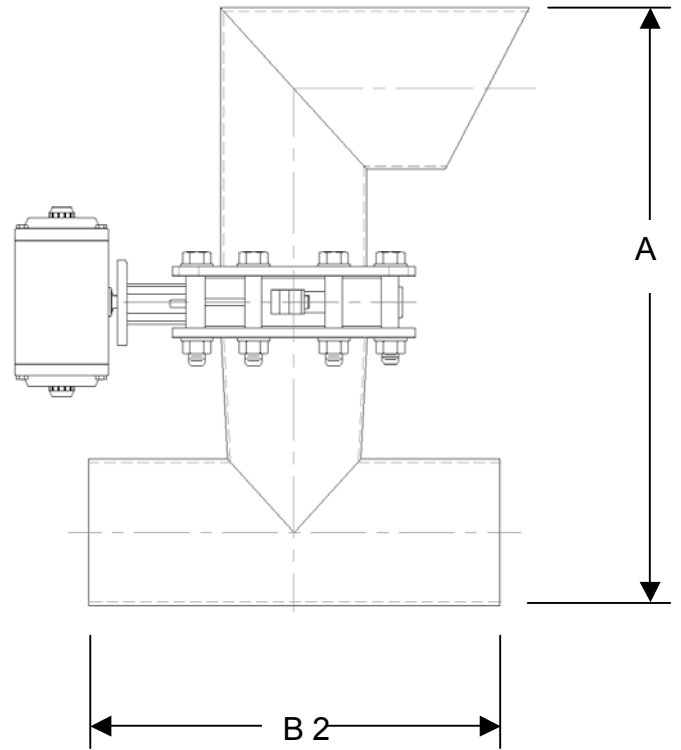
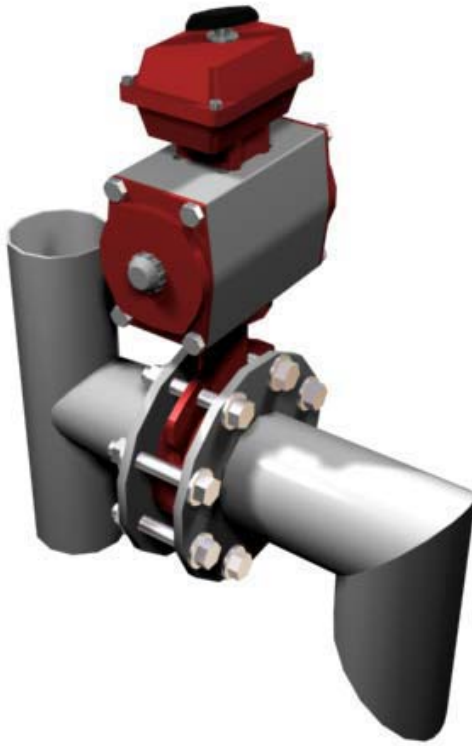
Diverter Valves



	A	B	C	D	E	F
2"	13 3/4"	19 7/8"	4 1/2"	2 1/2"	12 7/8"	9 5/8"
3"	15 3/4"	25 1/2"	6"	3 1/2"	16 1/8"	11 5/8"
4"	19 3/4"	33 3/8"	7 7/8"	5"	20 1/2"	15 5/8"
5"	22 3/4"	38 7/8"	9 3/4"	6"	23 1/8"	17 5/8"
6"	25 1/4"	43 3/4"	11 1/4"	7"	25 5/8"	20 1/8"
8"	32 1/4"	60 3/4"	16 5/8"	10"	34 1/8"	23 1/8"
10"	38 1/2"	79 1/8"	21 1/8"	14"	44"	29"
12"	42 3/4"	93 1/4"	25 1/4"	17"	51"	33"

All specifications are approximate and subject to change without notice.

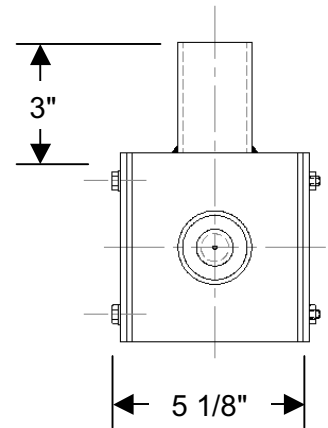
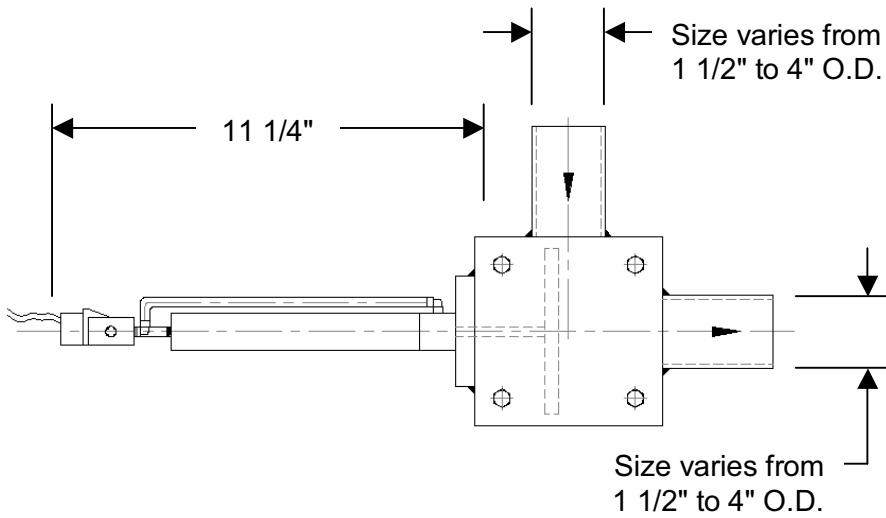
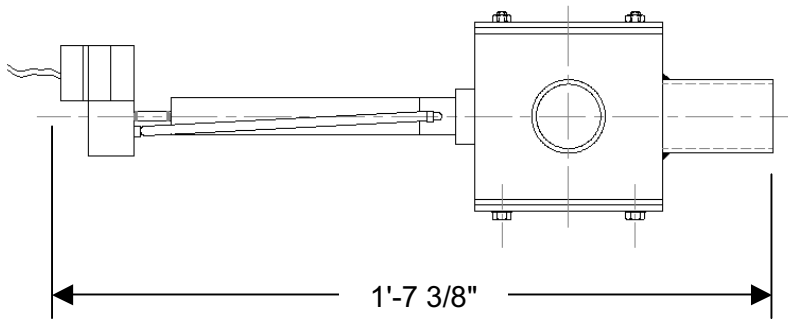
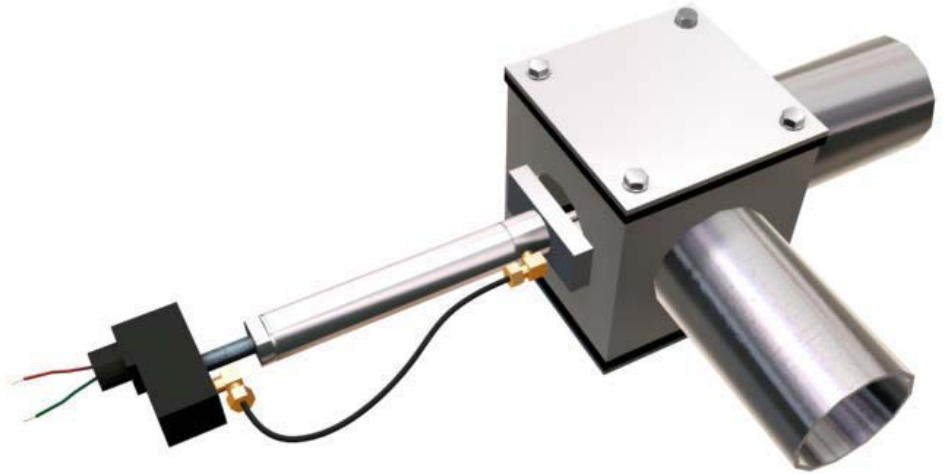
Vacuum Breaker Valve Assemblies



SIZE	A	B
3"	16"	16"
4"	18"	18"
5"	22"	24"
6"	24"	24"

All specifications are approximate and subject to change without notice.

Vacuum Sequence Valve



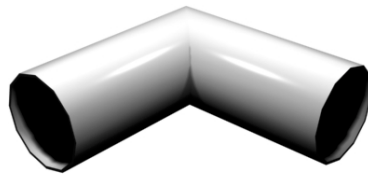
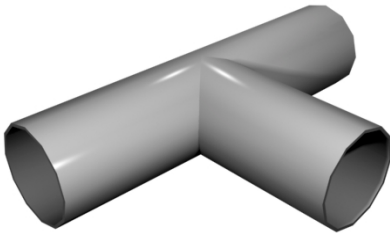
Piping and Tubing



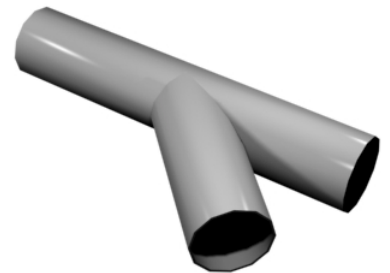
Piping and Tubing



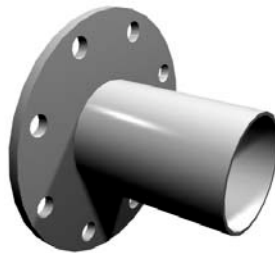
Elbows



Tees and Mitered Elbows



Laterals



Flanged Stubs

Pipe and Tube Sizes



TUBE

We offer tubing sizes from 1 1/2" through 10" OD in aluminum, carbon steel, and stainless steel. 200

PIPE

NPS	O.D.	Sch. 10	Sch. 40	Sch. 80
2"	2.375"	.109	.154	.218
2 1/2"	2.875"	.120	.203	.276
3"	3.500"	.120	.216	.300
3 1/2"	4.000"	.120	.226	.318
4"	4.500"	.120	.237	.337
5"	5.563"	.134	.258	.375
6"	6.625"	.134	.280	.432
8"	8.625"	.148	.322	.500
10"	10.750"	.165	.365	.594
12"	12.750"	.180	.406	.688

All tubing and Piping available in aluminum, carbon steel, and stainless steel.

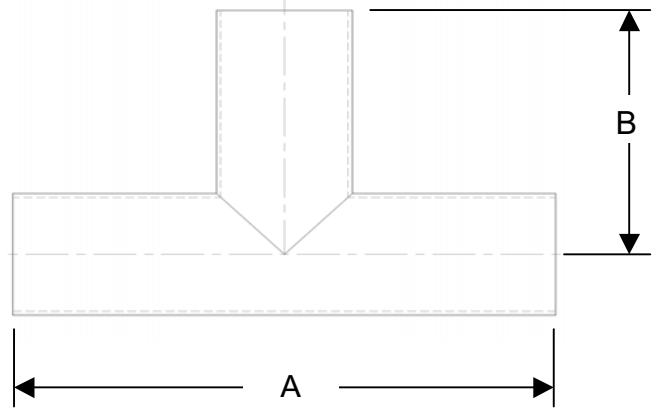
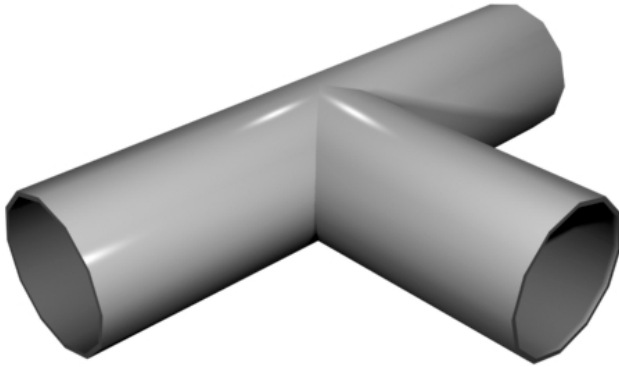
Piping and Tubing Elbows



Tube Size	Pipe Size	OD (Inches)	Centerline Radius (Inches)	Standard Tangent
2"		2.000	5, 6, 8, 10, 12, 15, 18, 24, 30, 36, 48	4"
	2"	2.375	6, 9, 10, 12, 15, 17, 24, 30, 36, 48	4"
2 1/2"		2.500	6, 9, 12, 15, 17, 24, 30, 36, 48	5"
	2 1/2"	2.875	9, 12, 15, 17, 24, 30, 36, 48, 60	5"
3"		3.000	9, 10, 12, 15, 18, 24, 30, 36, 48, 60	6"
3 1/2"	3"	3.500	9, 12, 15, 16, 18, 20, 24, 30, 36, 48	7"
4"	3 1/2"	4.000	10, 12, 16, 18, 20, 24, 30, 36, 48, 60	8"
4 1/2"	4"	4.500	9, 12, 16, 18, 20, 24, 30, 36, 48, 60	9"
5"		5.000	18, 24, 30, 36, 48, 60, 72	10"
	5"	5.563	18, 24, 30, 36, 48, 60, 72	10"
6"		6.000	18, 24, 30, 36, 48, 60, 72	12"
	6"	6.625	18, 24, 30, 36, 48, 60, 72	12"
8"		8.000	48, 60, 72	16"
	8"	8.625	24, 48, 60, 72	16"
10"		10.000	48, 60, 72	20"
	10"	10.750	48, 60, 72	20"

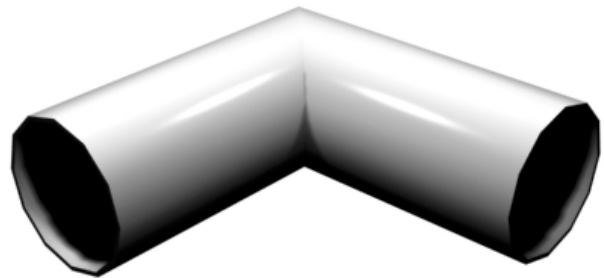
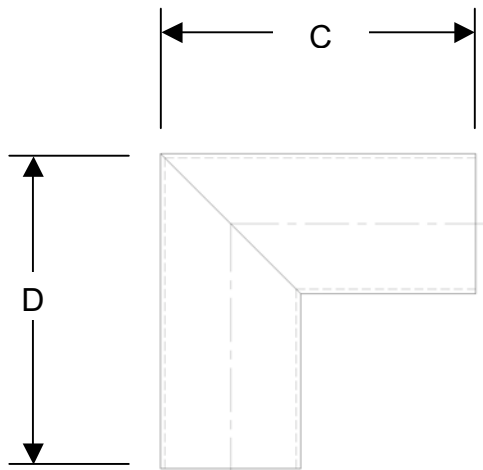
All specifications are approximate and subject to change without notice.

Tees and Mitered Elbows



	A	B
1 1/2" - 4"	16"	8"
4 1/2"	18"	9"
5"	18"	9"
6"	20"	10"
8"	24"	12"

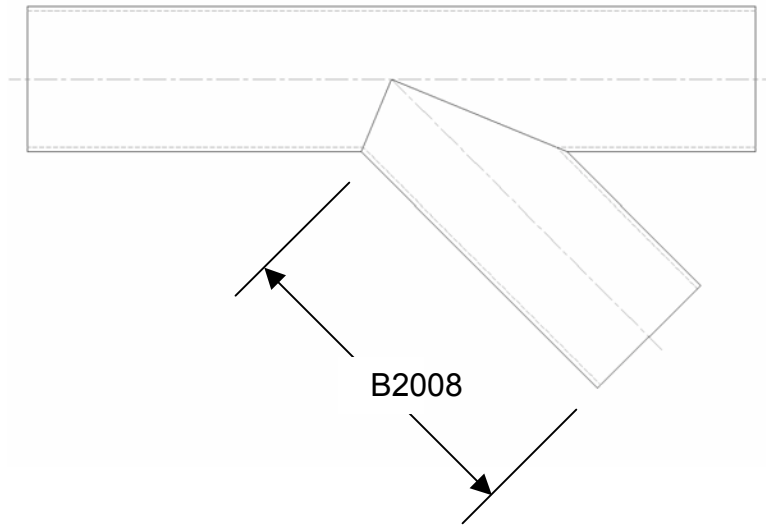
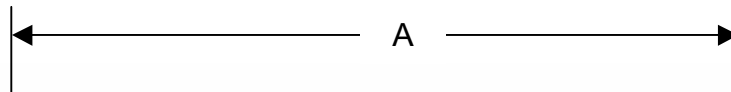
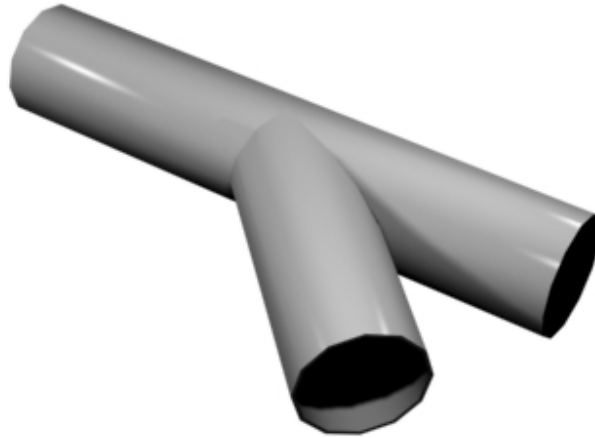
All specifications are approximate and subject to change without notice.



SIZE	C	D
2"	7"	7"
2 1/2"	7 1/4"	7 1/4"
3"	8 1/2"	8 1/2"
4"	9"	9"
5"	10 1/2"	10 1/2"
6"	12"	12"
8"	14"	14"

All specifications are approximate and subject to change without notice.

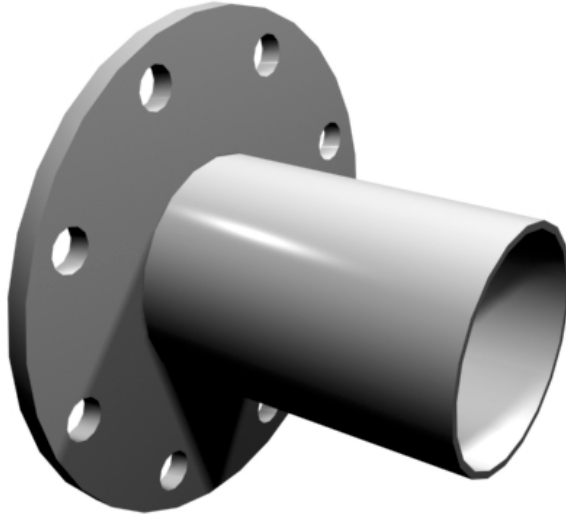
Piping and Tubing Laterals



SIZE	30 DEGREE		45 DEGREE	
	A	B	C	D
2"	16"	8"	16"	8"
2 1/2"	18"	9"	16"	8"
3"	20"	10"	16"	8"
4"	24"	12"	20"	10"
4 1/2"	24"	12"	20"	10"
5"	30"	15"	24"	12"
6"	36"	18"	30"	15"
8"	40"	22"	36"	18"

All specifications are approximate and subject to change without notice.

Piping and Tubing Flanged Stubs



Piping and Tubing flanged stubs are designed for each application. Flange thickness and drilling will vary. Special drilling patterns as well as 150# ANSI drilling patterns are available. Flanged stubs can be constructed in Carbon Steel, Aluminum, and Stainless Steel. 2008

All specifications are approximate and subject to change without notice.