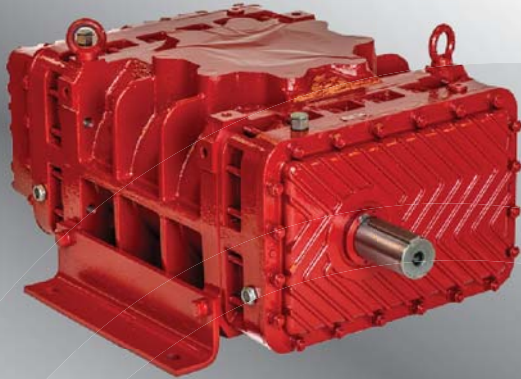


# VELOCITY BLOWERS®

## HURRICANE SERIES®

### Positive Displacement Blowers & Vacuum Pumps



- Replacement for GD Duroflow®, Roots Ram® and Tuthill Equalizer®
- Viton Oil Seals on Wearable Shaft Sleeves
- Taper-lock Shaft Mounting
- Oversized Bearings and Shaft
- Precision Helical Timing Gears
- Multi-piston Oil/Air Seals
- Ductile Iron Rotor
- Roller Drive Bearing
- Aluminum Oil Covers
- Cast Iron Housing
- High Strength End Plate
- Oil Sight Glasses Both Ends
- Low Noise Design
- 3 Year Warranty



#### TYPICAL APPLICATIONS

- Pneumatic Conveying
- Waste Water Aeration
- CNC Hold Down
- Central Vacuum
- Dairy Milking
- Carpet Cleaning
- Fluidization
- Pothole Patching
- Vacuum Processing
- Oilfield Vacuum & Extraction



# VACUUM PERFORMANCE

MODEL

			Capacity and Power at Standard Conditions (14.7 PSIA and 68 Deg.F on Air)												
			4" Hg		6" Hg		8" Hg		10" Hg		12" Hg		15" Hg		
Conn.	CFR*	RPM	CFM	BHP	CFM	BHP	CFM	BHP	CFM	BHP	CFM	BHP	CFM	BHP	
3004H	NPT 2"	0.05	3000	115	2.2	109	2.8	103	3.5	97	4.2	91	4.9	81	5.9
			4000	162	2.8	157	3.6	151	4.6	145	5.5	139	6.5	130	7.8
			5000	209	3.7	204	4.6	199	5.7	193	6.8	188	7.9	178	9.5
3006H	NPT 2.5"	0.07	3000	171	3.1	163	4.0	155	5.1	148	6.1	140	7.1	127	8.6
			4000	239	4.1	232	5.3	225	6.7	218	8.1	210	9.4	198	11.4
			5000	308	5.4	302	6.7	294	8.3	287	9.9	280	11.5	268	13.8
4504H	NPT 2.5"	0.11	2000	181	1.8	173	2.7	165	3.7	157	4.6	149	5.5	135	6.9
			3000	286	2.8	278	4.2	270	5.6	262	7.0	254	8.4	240	10.5
			4000	391	3.8	383	5.7	375	7.7	367	9.6	359	11.5	345	14.3
4506H	NPT 4"	0.16	2000	273	2.7	261	4.1	250	5.5	239	6.8	227	8.2	207	10.3
			3000	431	4.2	419	6.2	408	8.3	397	10.4	385	12.5	365	15.6
			4000	589	5.6	577	8.5	566	11.3	555	14.1	543	16.9	523	21.2
4509H	NPT 5"	0.24	2000	410	4.1	393	6.1	376	8.2	360	10.2	342	12.2	313	15.3
			3000	646	6.2	629	9.3	612	12.4	596	15.5	578	18.6	549	23.2
			4000	882	8.4	865	12.6	848	16.7	832	20.9	814	25.1	785	31.4
4512H	6" Flange	0.32	2000	549	5.4	527	8.2	506	10.9	485	13.6	462	16.3	424	20.4
			3000	864	8.3	842	12.4	821	16.5	800	20.6	777	24.8	739	30.9
			4000	1,179	11.2	1,157	16.7	1,136	22.3	1,115	27.9	1,092	33.5	1,054	41.8
4518H	8" Flange	0.47	2000	828	8.2	796	12.3	765	16.3	734	20.4	701	24.5	646	30.6
			3000	1,301	12.4	1,269	18.5	1,238	24.7	1,207	30.9	1,174	37.1	1,119	46.4
			4000	1,774	16.7	1,742	25.0	1,711	33.4	1,680	41.7	1,647	50.1	1,592	62.6
6010H	6" Flange	0.5	1450	615	6.2	585	9.4	556	12.5	527	15.6	497	18.7	446	23.4
			2300	1,039	10.0	1,009	15.0	980	20.0	951	25.0	921	30.0	870	37.4
			3000	1,388	13.2	1,358	19.7	1,329	26.3	1,301	32.9	1,270	39.5	1,219	49.4
6016H	8" Flange	0.76	1450	963	9.5	926	14.2	890	19.0	853	23.7	815	28.5	751	35.6
			2300	1,609	15.2	1,571	22.8	1,535	30.4	1,498	38.0	1,460	45.6	1,396	57.0
			3000	2,140	20.0	2,102	30.1	2,066	40.1	2,030	50.1	1,991	60.1	1,927	75.2
6024H	10" Flange	1.14	1450	1,480	14.2	1,433	21.3	1,388	28.5	1,342	35.6	1,294	42.7	1,214	53.4
			2300	2,448	22.8	2,401	34.1	2,356	45.5	2,310	56.9	2,263	68.3	2,182	85.3
			3000	3,246	30.0	3,198	44.9	3,153	59.9	3,108	74.9	3,060	89.9	2,979	112.3

Max. Press. PSI	Max. Vac. (in Hg)	Max RPM	Displacement CFR	
15	15	5,000	0.046	3004H
12	15	5,000	0.068	3006H
15	15	4,000	0.105	4504H
15	15	4,000	0.158	4506H
15	15	4,000	0.236	4509H
15	15	4,000	0.315	4512H
12	15	4,000	0.473	4518H
15	15	3,000	0.499	6010H
15	15	3,000	0.759	6016H
12	15	3,000	1.139	6024H

## CAPACITY CHART



- Engineered Blower Packages up to 200Hp
- Lowest Noise Level Without Enclosure
- We Also Offer Our Tornado Blowers Which Are Drop In Replacements for Roots URAI®, Sutorbilt Legend®, And Tuthill Competitor Plus®

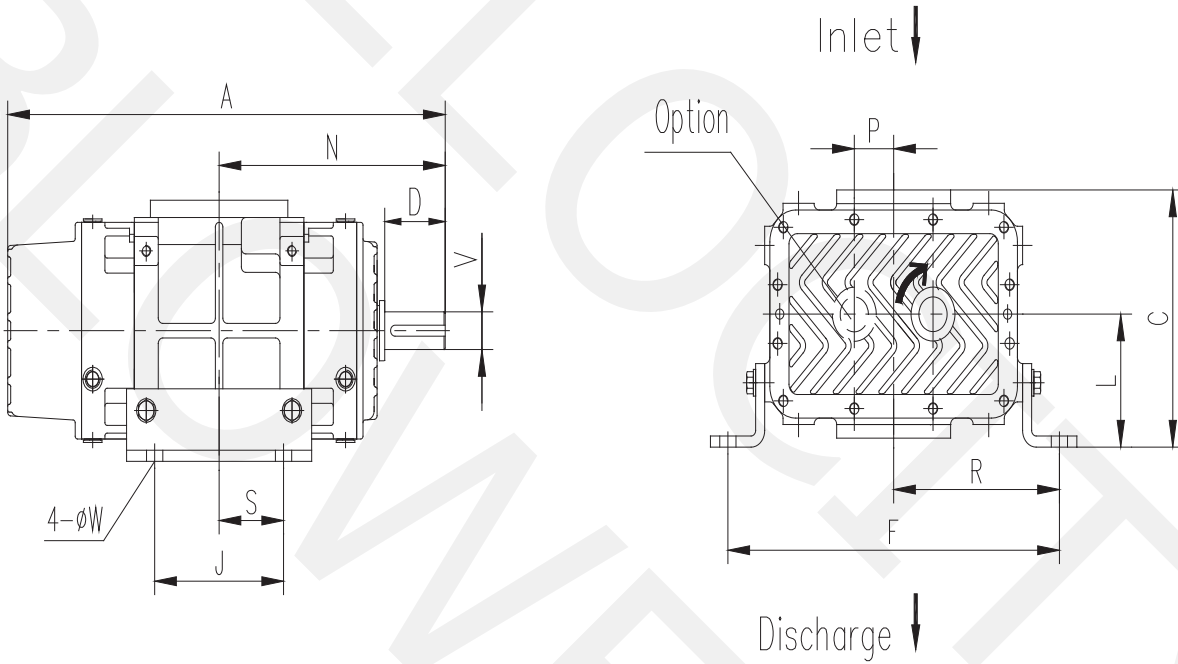
Capacity and Power at Standard Conditions (14.7 PSIA and 68 Deg.F on Air)																	MODEL
		2PSIG		4 PSIG		6 PSIG		8 PSIG		10 PSIG		12 PSIG		15 PSIG			
Conn.	CFR*	RPM	CFM	BHP	CFM	BHP	CFM	BHP	CFM	BHP	CFM	BHP	CFM	BHP	CFM	BHP	
NPT 2"	0.046	3000	118	2.0	107	3.5	101	4.9	96	5.9	92	7.3					3004H
		4000	165	2.7	155	4.7	149	6.5	144	7.9	140	9.6	136	11.3	133	13.7	
		5000	212	3.3	202	5.8	197	8.0	192	9.8	188	12.0	184	14.2	181	17.1	
NPT 2.5"	0.068	3000	175	2.6	162	5.1	154	7.2	148	8.7	144	10.6	138	12.4			3006H
		4000	244	3.4	231	6.8	224	9.5	218	11.5	213	13.9	208	16.3			
		5000	313	4.3	300	8.4	293	11.6	287	14.2	283	17.5	278	20.5			
NPT 2.5"	0.105	2000	180	2.3	173	3.9	164	5.6	157	7.5	150	9.4	144	11.3	135	14.0	4504H
		3000	286	4.5	279	6.3	270	8.6	263	11.5	256	14.4	250	17.2	240	21.4	
		4000	392	6.7	385	9.1	376	11.8	369	15.7	362	19.7	356	23.6	345	29.2	
NPT 4"	0.158	2000	276	3.0	259	5.7	246	8.4	236	11.1	226	13.9	217	16.7	206	20.9	4506H
		3000	434	4.9	417	9.0	404	12.7	394	16.9	384	21.2	375	25.4	364	31.8	
		4000	592	7.2	575	12.7	562	17.2	552	23.0	542	28.7	533	34.5	522	43.1	
NPT 5"	0.236	2000	414	4.2	389	8.3	371	12.5	355	16.6	341	20.8	329	24.9	312	31.2	4509H
		3000	650	6.3	625	12.6	607	18.9	591	25.2	577	31.5	565	37.8	548	47.2	
		4000	886	8.5	861	17.0	843	25.6	827	34.1	813	42.6	801	51.1	784	63.9	
6" Flange	0.315	2000	554	5.5	523	11.1	499	16.6	479	22.2	461	27.7	444	33.3	423	41.6	4512H
		3000	869	8.4	838	16.8	814	25.2	794	33.6	776	42.0	759	50.4	738	63.0	
		4000	1,184	11.4	1,153	22.7	1,129	34.1	1,109	45.5	1,091	56.8	1,074	68.2	1,053	85.2	
8" Flange	0.473	2000	836	8.3	790	16.6	755	25.0	725	33.3	699	41.6	676	49.9			4518H
		3000	1,309	12.6	1,263	25.2	1,228	37.8	1,198	50.4	1,172	63.0	1,149	75.5			
		4000	1,782	17.0	1,736	34.0	1,701	51.0	1,671	68.0	1,645	85.0	1,622	102.0			
6" Flange	0.499	1450	621	6.4	579	12.7	546	19.1	519	25.4	495	31.8	473	38.1	443	47.6	6010H
		2300	1,045	10.2	1,003	20.3	970	30.5	943	40.7	919	50.8	897	61.0	867	76.3	
		3000	1,395	13.4	1,352	26.8	1,320	40.2	1,292	53.6	1,268	67.0	1,246	80.4	1,217	100.5	
8" Flange	0.759	1450	972	9.7	918	19.3	877	29.0	843	38.7	813	48.3	785	58.0	748	72.5	6016H
		2300	1,617	15.5	1,564	31.0	1,523	46.4	1,488	61.9	1,458	77.4	1,430	92.9	1,393	116.1	
		3000	2,148	20.4	2,095	40.8	2,054	61.2	2,019	81.7	1,989	102.1	1,961	122.5	1,924	153.1	
10" Flange	1.139	1450	1,490	14.5	1,424	29.0	1,373	43.5	1,329	58.0	1,291	72.5	1,257	86.9			6024H
		2300	2,459	23.2	2,392	46.3	2,341	69.5	2,298	92.7	2,260	115.8	2,225	139.0			
		3000	3,256	30.5	3,189	61.0	3,138	91.5	3,095	122.0	3,057	152.5	3,022	183.0			

**PRESSURE PERFORMANCE**

## Horizontal/Vertical Flow Configuration

MODEL	A	B	C	D	E	F	G	H	J	K	L	M	N	P	Q	R	S	T	U	V	DN
3004H	15.91	11.45	8.91	2.76	8.82	12.5	4	9	4	8.06	4.5	6.56	8.54	1.5	4.41	6.25	2	4.5	2	1.18	NPT 2"
3006H	17.87	11.45	9.09	2.76	9.18	12.5	5.5	9	5.5	8.06	4.5	6.56	9.53	1.5	4.59	6.25	2.75	4.5	2.75	1.18	NPT 2.5"
4504H	18.25	16.23	10.54	3.19	9.84	17.5	4.88	11.5	5	11.35	5.62	9.1	9.5	2.25	4.92	8.75	2.5	5.75	2.44	1.65	NPT 2.5"
4506H	20.2	16.23	11.92	3.19	12.6	17.5	6.88	11.5	7	11.35	5.62	9.1	10.49	2.25	6.3	8.75	3.5	5.75	3.44	1.65	NPT 4"
4509H	23.24	16.23	11.92	3.19	12.6	17.5	6.88	11.5	7	11.35	5.62	9.1	12.01	2.25	6.3	8.75	3.5	5.75	3.44	1.65	NPT 5"
4512H	26.23	16.23	11.12	3.19	11	17.5	9.88	11.5	10	11.35	5.62	9.1	13.5	2.25	5.5	8.75	5	5.75	4.94	1.65	6" FF
4518H	32.21	16.23	11.19	3.19	11.14	17.5	15.88	11.5	16	11.35	5.62	9.1	16.5	2.25	5.57	8.75	8	5.75	7.94	1.65	8" FF
6010H	29.41	20.54	15.14	4.41	14.8	22.96	8.26	16.92	8.26	14.03	7.74	11.03	15.24	3	7.4	11.48	4.15	8.46	4.13	2.36	6" FF
6016H	34.92	20.54	15.14	4.41	14.8	22.96	13	16.92	13	14.03	7.74	11.03	18.00	3	7.4	11.48	6.5	8.46	6.5	2.36	8" FF
6024H	42.95	20.54	15.14	4.41	14.8	22.96	20.86	16.92	20.86	14.03	7.74	11.03	22.00	3	7.4	11.48	10.43	8.46	10.43	2.36	10" FF

### VERTICAL FLOW CONFIGURATION



### HORIZONTAL FLOW CONFIGURATION

